

GS800 自动运模车

AUTOMATIC MOLD SEWING MACHINE

零件手册

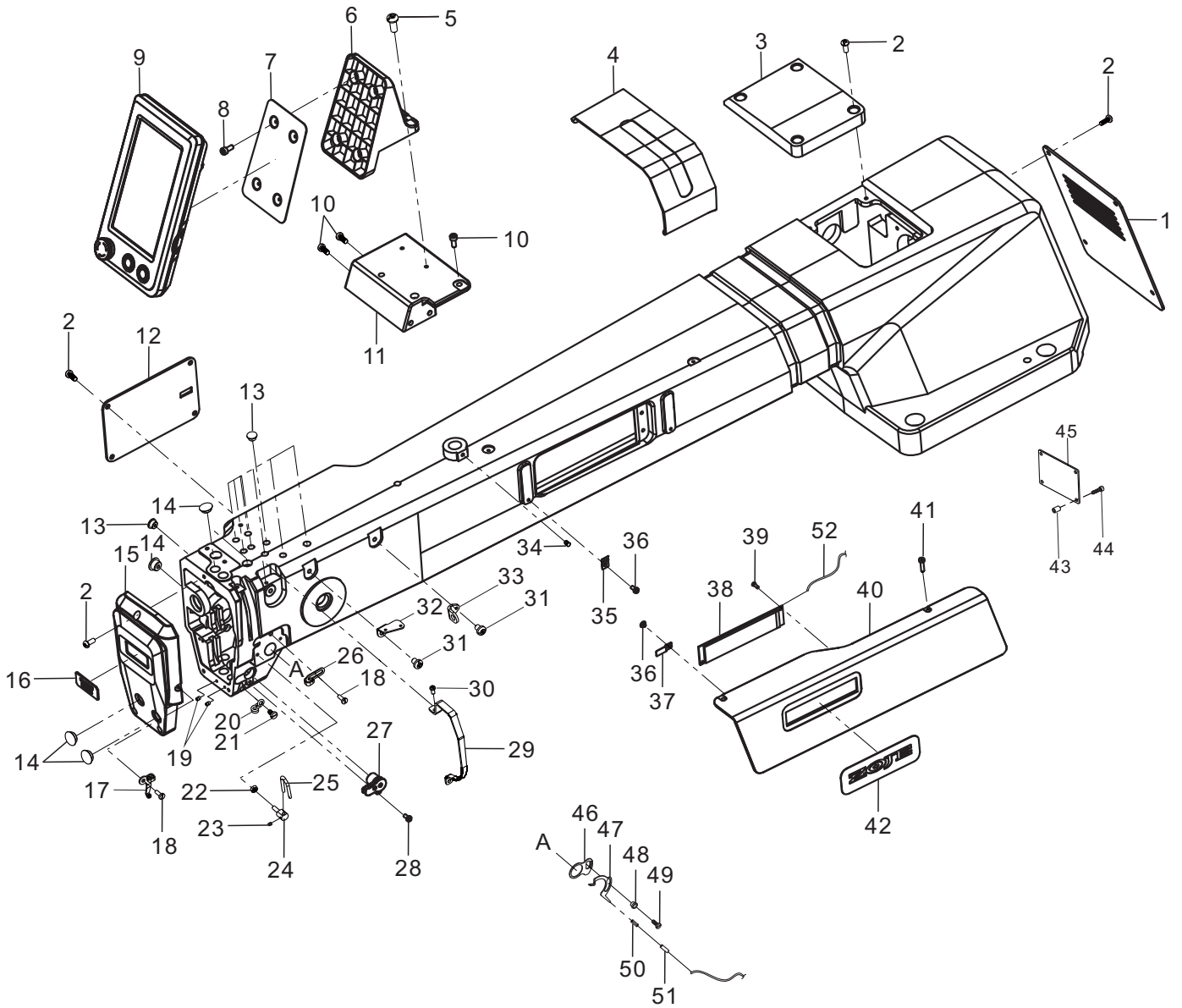
PARTS BOOK

目 录

CONTENTS

1. 机头、外装部件.....	1
FRAME & MISCELLANEOUS COVER COMPONENTS	
2. 上轴、针杆部件.....	3
MAIN SHAFT & NEEDLE BAR COMPONENTS	
3. 中压脚部件.....	5
PRESSER MECHANISM & PRESSER VARIABLE COMPONENTS (1)	
4. 辅助压脚部件.....	7
AUXILIARY PRESSER MECHANISM & MARKER PEN COMPONENTS	
5. 松线部件.....	9
TENSION RELEASE & THREAD TENSION COMPONENTS	
6. 下轴剪线部件.....	11
LOWER SHAFT TRIM THREAD COMPONENTS	
7. 润滑部件.....	14
LUBRICATION COMPONENTS	
8. X-Y送料部件(1).....	16
FEEDING COMPONENTS(1)	
9. X-Y送料部件(2).....	18
FEEDING COMPONENTS(2)	
10. X-Y送料部件(3).....	20
FEEDING COMPONENTS(3)	
11. 气动部件.....	23
PNEUMATIC COMPONENTS	
12. 大缝台部件.....	25
BIG SEWING BED COMPONENTS	
13. 机架部件.....	27
MACHINE STAND COMPONENTS	
14. 附件部件.....	29
ACCESSORIES COMPONENTS	

1. 机头、外装部件

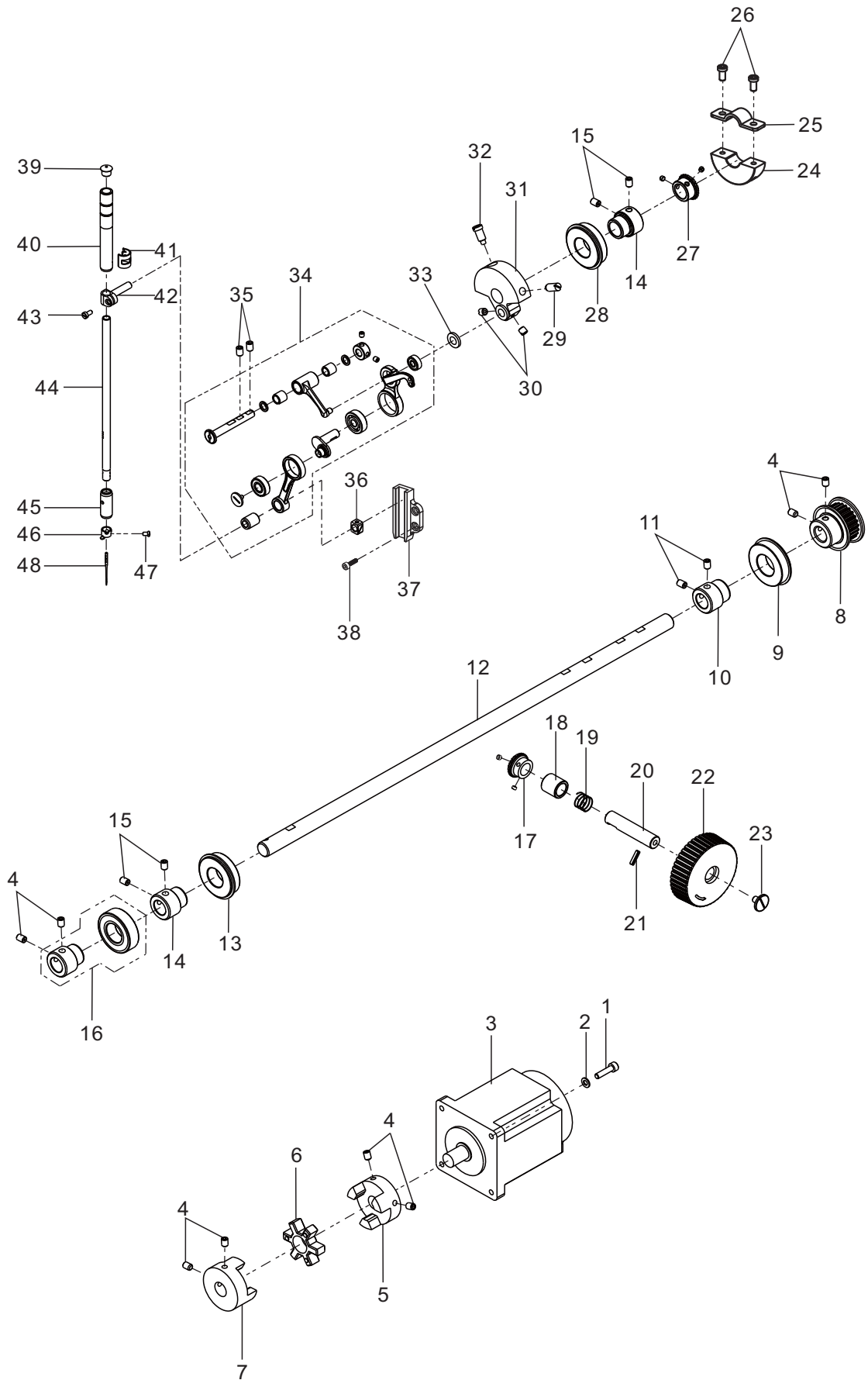


机头、外装部件

FRAME & MISCELLANEOUS COVER COMPONENTS

序号 NO.	件号 Part No.	名称	DESCRIPTION	数量 Qty
1	20024055	后盖板	BACK COVER	1
2	10008776	螺钉 M5 L=12	SCREW M5 L=12	15
3	20024056	上盖板	TOP COVER REAR	1
4	10062527	装饰板	PLATE	1
5	10003164	螺钉 M5 L=16	SCREW M5 L=12	2
6	10062490	操作面板座壳		1
7	10062548	吸屏板		1
8	10003034	螺钉 M3 L=5	SCREW M3 L=5	4
9	10061932	操作头		1
10	10003162	螺钉 M5 L=12	SCREW M5 L=12	3
11	10062496	操作面板座		1
12	20023894	侧盖板		1
13	10000090	摆动架销油塞	RUBBER PLUG	9
14	10011099	橡胶塞	RUBBER PLUG	5
15	20023895	运模机面板	FACE COVER	1
16	10003162	模板机装饰板	FACE PLATE	1
17	10055858	750左线钩	ARM THREAD GUIDE LEFT	1
18	10009691	螺钉 SM9/64"×40 L=10	SCREW SM9/64"×40 L=10	2
19	10000563	螺钉 M4 L=5	SCREW M4 L=5	2
20	10062754	下线钩	ARM THREAD GUIDE DOWN	1
21	10010668	螺钉 SM11/64"×40	SCREW SM11/64"×40	1
22	10009471	螺母 M4	NUT M4	1
23	10051477	线钩座螺钉 M3.5 L=3	SCREW M3.5 L=3	1
24	10049613	线钩座	ARM THREAD GUIDE FIXED BASE	1
25	10049614	线钩	ARM THREAD GUIDE	1
26	10008940	右线钩	ARM THREAD GUIDE RIGHT	1
27	10063515	电子夹线器	ELECTRONIC THREAD CLAMP DEVICE	1
28	10007068	螺钉 M4 L=10	SCREW M4 L=10	1
29	20023540	挑线杆防护罩	THREAD TAKE-UP LEVER COVER	1
30	10008934	螺钉 SM3/16"×28	SCREW SM3/16"×28	1
31	10011158	螺钉 SM15/64"×8	SCREW SM15/64"×8	2
32	10011200	上过线板	ARM THREAD GUIDE UP	1
33	10011145	单眼过线板	SINGLE-HOLE THREAD EYELET GUIDE	1
34	10011232	螺钉 M6 L=6	SCREW M6 L=6	1
35	10063992	装饰板压块		1
36	10005050	螺钉 M4 L=4	SCREW M4 L=4	4
37	10063991	装饰板压板		1
38	10064763	套结LOGO电路板组件		1
39	10062983	螺钉	SCREW	2
40	10062525	前装饰板		1
41	10002959		SCREW M4 L=16	2
42	10063819	套结LOGO_95		1
43	10024992	转接板支柱	SUPPORT PILLAR	4
44	10009103	螺钉 M4×6	SCREW M4 L=16	4
45		机头转接板	SIGNAL SWITCH BOARD	1
46	10059802	断线传感器绝缘板	GUIDE PLATE	1
47	10059803	断线检测传感片	THB SENSOR CABLE ASM	1
48	10000752	传感片外绝缘片	BUSHING	1
49	10009691	螺钉 SM9/64"×40	SCREW SM9/64"×40	1
50	10052997	直型端子		1
51	10062106	直型端子护套		1
52	10063869	发光板连接线缆		1

2. 上轴、针杆部件

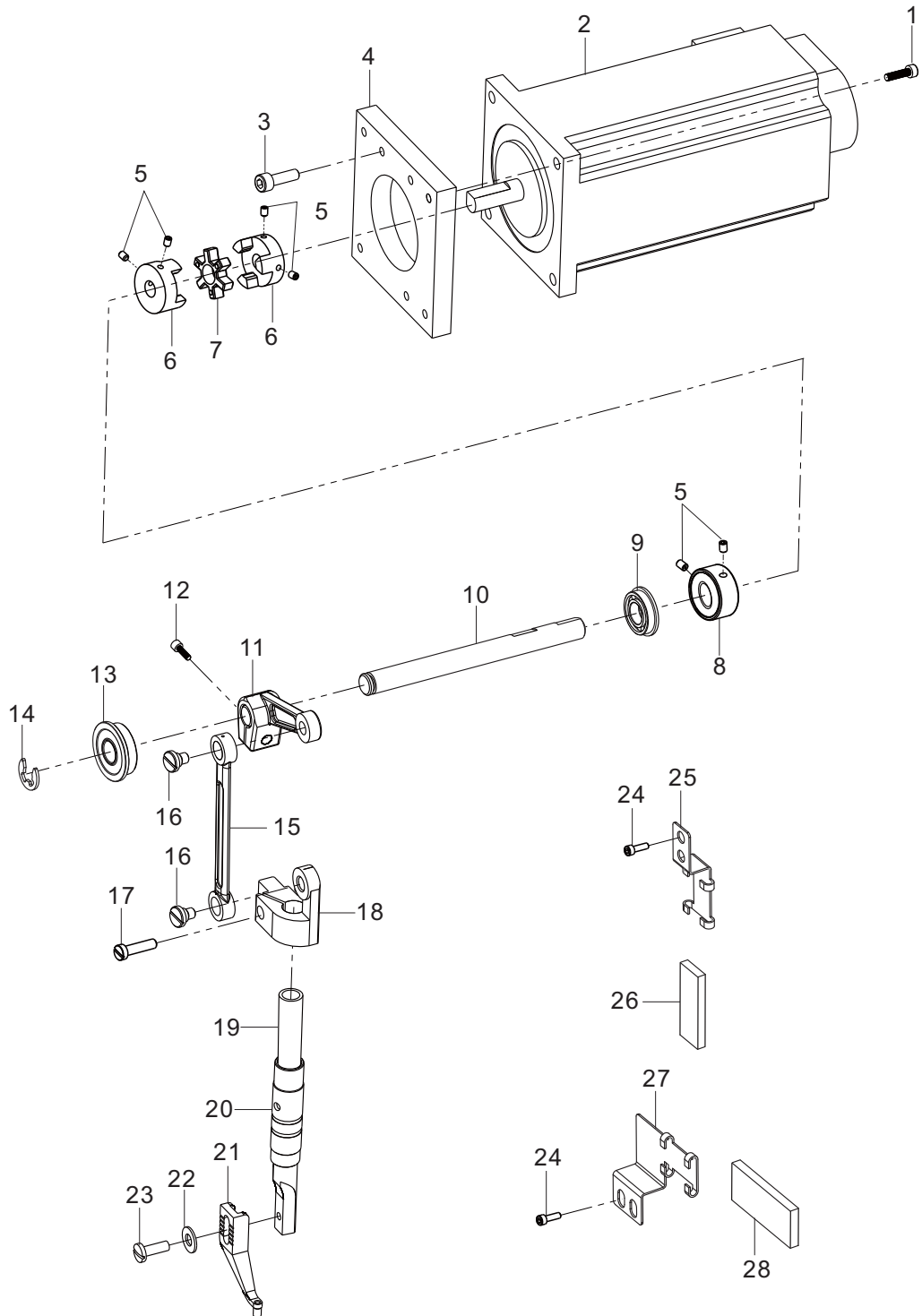


上轴、针杆部件

MAIN SHAFT & NEEDLE BAR COMPONENTS

序号 NO.	件号 Part No.	名称	DESCRIPTION	数量 Qty
1	10001943	螺钉 M5 L=20	SCREW M5 L=20	4
2	10000260	垫圈5.2×9.8×1	WASHER 5.2×9.8×1	4
3		主轴电机	MAIN SHAFT SERVO MOTOR	1
4	10009187	螺钉 M6 L=8	SCREW M6 L=8	8
5	10012615	联轴器(1)	COUPLING (1)	1
6	10011227	联轴器橡胶块	COUPLING RUBBER	1
7	10012613	联轴器(2)	COUPLING (2)	1
8	10049904	上轴同步带轮	UPPER SHAFT TENSION PULLEY ASM	1
9	10029408	轴承 6022VVNR	BEARING 6022VVNR	1
10	10014362	轴承衬套	BEARING_BUSH	1
11	10010678	螺钉 SM15/64"×28 L=8	SCREW SM15/64"×28 L=8	2
12	10055051	上轴	MAIN SHAFT	1
13	10025882	轴承 6004NR-2RS_BOM	BEARING 6004NR-2RS	1
14	10042095	轴承衬套	BEARING_BUSH	2
15	10022863	螺钉 M6×0.75	HANDWHEEL SETSCREW M6×0.75	4
16	10051864	轴承 6004	BEARING 6004	1
17	10021312	齿轮 A	GEAR_A	1
18	10027277	轴套	NEEDLE FEED SHAFT METAL	1
19	10011242	弹簧	SPRING	1
20	10027278	手轮轴	HANDWHEEL SHAFT	1
21	10006073	销	SPRING PIN	1
22	10011603	手轮	HANDWHEEL	1
23	10011225	螺钉 M6	HANDWHEEL SETSCREW M6	1
24	10062200	平衡块		1
25	10014332	上轴平衡轮固定板		1
26	10010953	螺钉 M5 L=10	SCREW M5 L=10	2
27	10027407	齿轮 B	GEAR_B	1
28	10050517	轴承 6004ZZ	BEARING 6004ZZ	1
29	10010082	螺钉 SM9/32"×8 L=16	SCREW SM9/32"×8 L=16	1
30	10005020	螺钉 SM1/4"×40 L=6	SCREW SM1/4"×40 L=6	2
31	10012607	针杆曲柄	COUNTER WEIGHT	1
32	10010545	螺钉 SM9/32"×8 L=15	SCREW SM9/32"×8 L=15	1
33	10011622	垫圈 8×5×0.7	WASHER 8×5×0.7	1
34	10038440	挑线杆组件	THREAD_TAKE_UP_COMPL	1
35	10009109	螺钉 M4 L=6	SCREW M4 L=6	2
36	10011194	针杆连接轴滑块	SLIDE BLOCK	1
37	10057568	针杆滑块槽	NEEDLE BAR METAL GREASE COVER	1
38	10048800	螺钉 M4 L=10	SCREW M4 L=10	4
39	10010587	橡胶塞	RUBBER PLUG	1
40	10049875	针杆上轴套	NEEDLE_BAR_METAL	1
41	10031678	挡油片	NEEDLE_BAR_METAL_GREASE_COVER	1
42	10038438	针杆连接柱	NEEDLE BAR CONNECTING	1
43	10030286	螺钉	SCREW	1
44	10063340	针杆 DP×5	NEEDLE BAR DP×5	1
	10063341	针杆 DP×5	NEEDLE BAR DP×5	1
	10056785	针杆 DB×1	NEEDLE BAR DB×1	1
45	10046043	针杆下轴套	NEEDLE_BAR_LOWER_METAL	1
46	10000237	针杆线钩	THREAD GUIDE	1
47	10041770	螺钉 SM1/8"×4 L=4.5	SCREW SM1/8"×4 L=4.5	1
48	10053820	机针 DP×5 10#	NEEDLE DP×5 10#	1

3. 中压脚部件

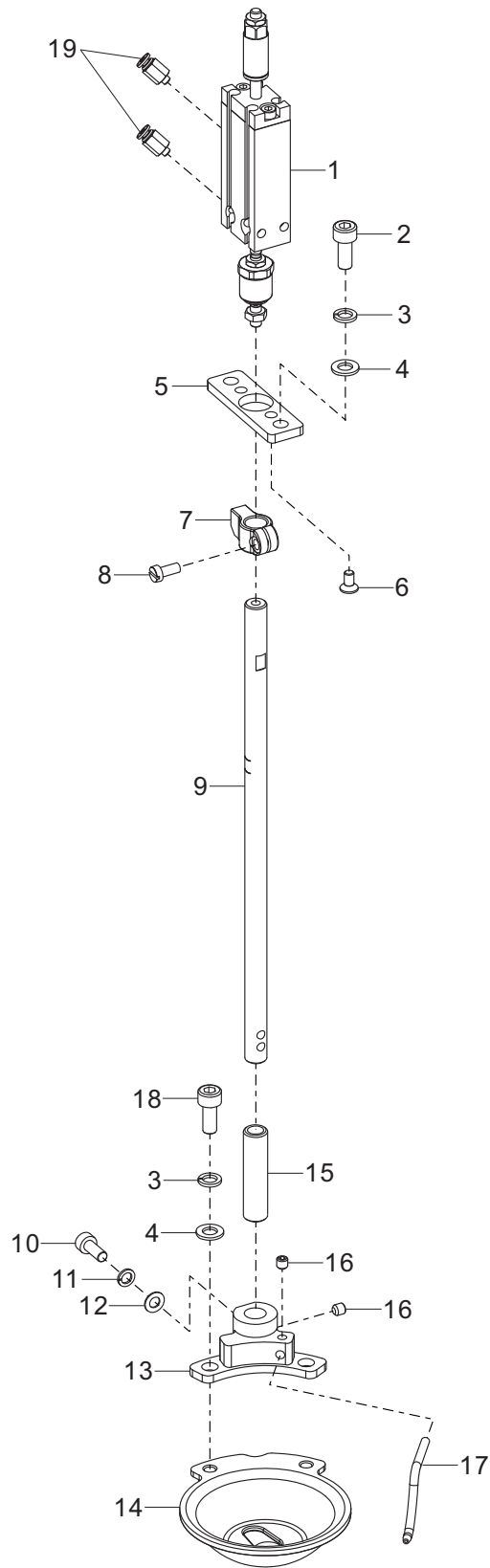


中压脚部件

LOWER SHAFT TRIM THREAD COMPONENTS

序号 NO.	件号 Part No.	名称	DESCRIPTION	数量 Qty
1	10000863	螺钉 M4 L=12	SCREW M4 L=12	4
2	10061929	中压脚步进电机	STEPPING MOTOR	1
3	10010958	螺钉 M5 L=14	SCREW M5 L=14	3
4	10062696	中压脚电机安装板	MOTOR BRACKET	1
5	10012014	螺钉 M5 L=4	SCREW M5 L=4	8
6	10027317	联轴器	COUPLING	2
7	10056286	联轴器橡胶圈	COUPLING RUBBER RING	1
8	10027320	挡圈	RETAINING RING	1
9	10026126	轴承 F688ZZ	BEARING F688ZZ	1
10	10057955	压脚驱动轴	DRIVE SHAFT	1
11	10057545	曲柄	CRANK	1
12	10011410	螺钉 M5 L=10	SCREW M5 L=10	1
13	10009776	轴承 F698ZZ	BEARING F698ZZ	1
14	10009654	挡圈 6	RING 6	1
15	10057544	连杆	CONNECTING ROD	1
16	10057547	轴位螺钉	AXIAL SCREW	2
17	10000380	螺钉 SM11/64"×40	SCREW SM11/64"×40	1
18	10057541	压杆导架	PRESSURE BAR GUIDE	1
19	10057542	压杆	PRESS ROD	1
20	10057548	压杆下套	PRESS ROD	1
21	10057415	中压脚	MEDIUM PRESSURE FOOT	1
22	10011680	垫圈 4.6×9.7×0.8	WASHER 4.6×9.7×0.8	1
23	10010650	螺钉 SM9/64"×40	SCREW SM9/64"×40	1
24	10001513	螺钉组件	SCREW M3 L=6	4
25	10058963	油毡安装板	MOUNTING PLATE	1
26	10058965	油毡	LINOLEUM	1
27	10058964	油毡安装板	MOUNTING PLATE	1
28	10058966	油毡2	LINOLEUM	1

4. 辅助压脚部件

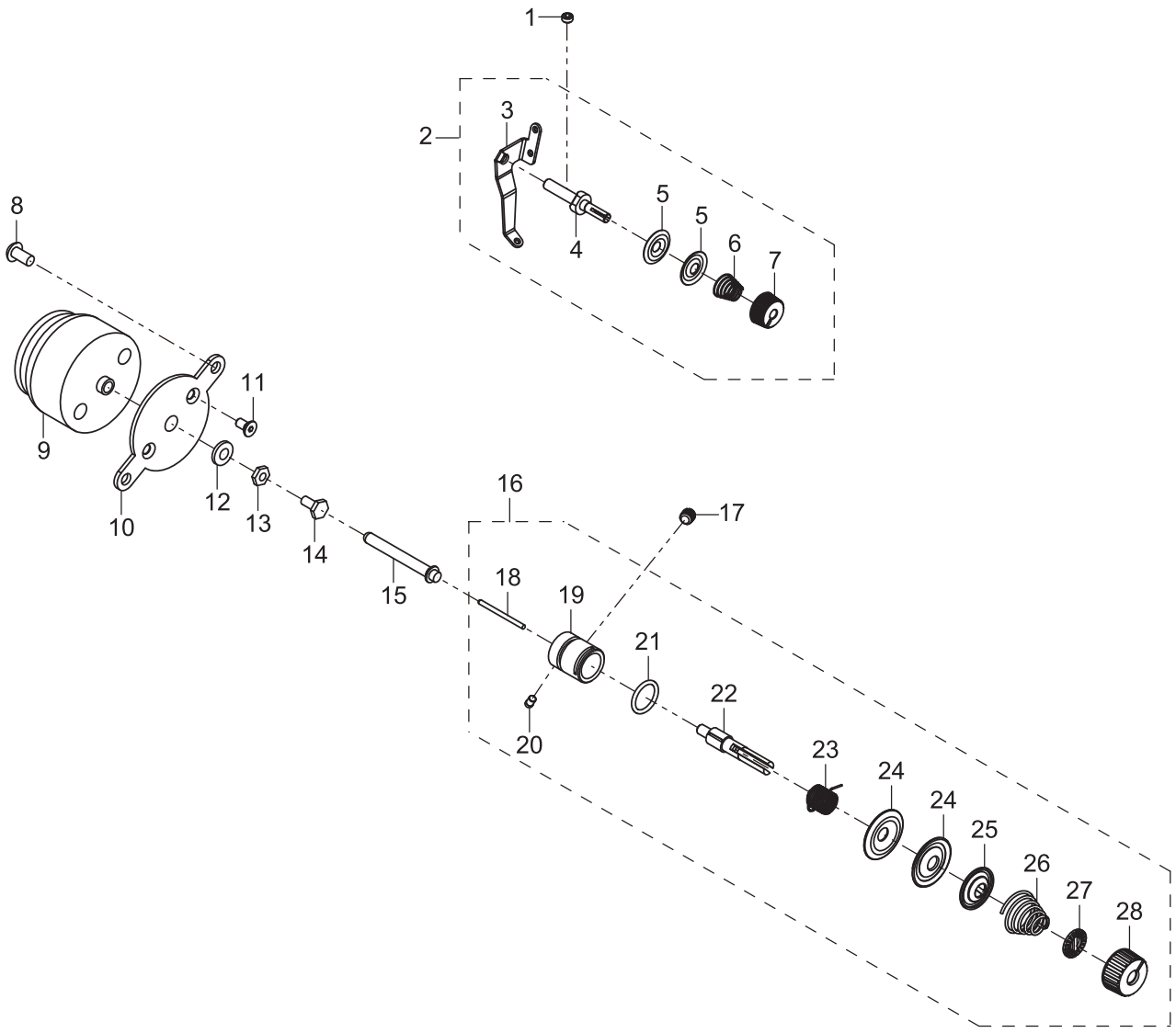


辅助压脚部件

AUXILIARY PRESSER MECHANISM COMPONENTS

序号 NO.	件号 Part No.	名称	DESCRIPTION	数量 Qty
1	10062535	压脚气缸	CYLINDER	1
2	10013883	螺钉 M5 L=12	SCREW M5 L=12	2
3	10005537	垫圈 5	SPRING WASHER 5	4
4	10012318	垫圈 5	WASHER 5	4
5	10062180	辅助压脚气缸安装板	CYLINDER PLATE	1
6	10062759	螺钉 M3 L=8	SCREW M3 L=8	2
7	10061979	辅助压杆导架	PRESSURE BAR GUIDE	1
8	10030286	螺钉 SM9/64"×40	SCREW SM9/64"×40	1
9	10061978	辅助压杆	PRESS ROD	1
10	10064268	螺钉 M4 L=10	SCREW M4 L=10	1
11	10002991	弹簧垫圈 4	SPRING WASHER 4	1
12	10002949	垫圈 4	WASHER 4	1
13	10063521	辅助压脚转接板_吹气	CYLINDER PLATE	1
14	10062788	辅助压脚	AUXILIARY PRESSER FOOT	1
15	10062073	辅助压杆轴套	BUSHING	1
16	10002862	螺钉 M4 L=10	SCREW M4 L=10	2
17	10063522	面线吹气管		1
18	10003165	螺钉 M5 L=10	SCREW M5 L=10	2
19	10061374	接头_PC04-M5C	TIE-IN	2

5. 松线部件

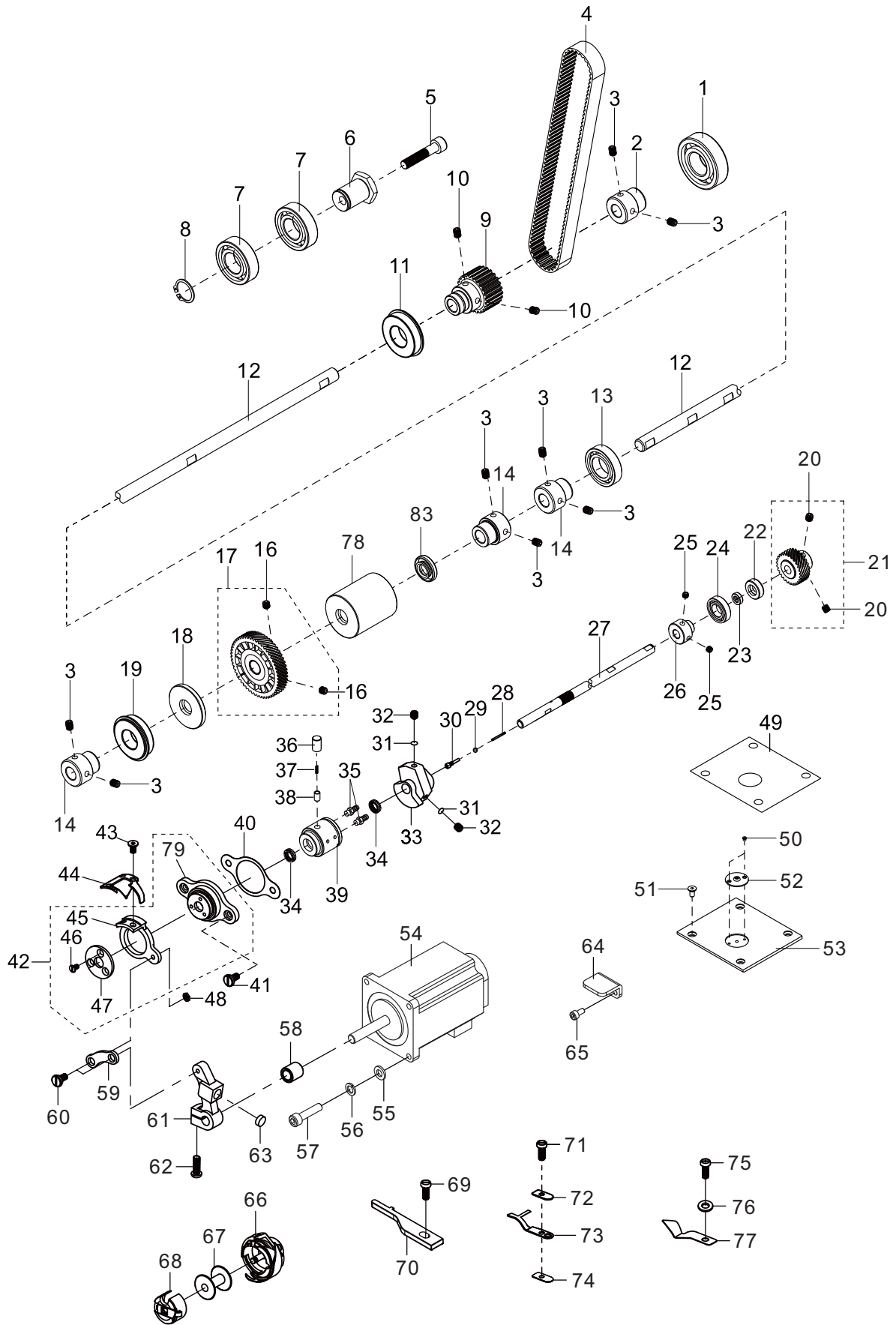


松线部件

TENSION RELEASE & THREAD TENSION COMPONENTS

序号 NO.	件号 Part No.	名称	DESCRIPTION	数量 Qty
1	10041529	螺钉 SM3/16"×28 L=6	SCREW SM3/16"×28 L=6	1
2	10064310	上夹线器部件	THREAD_TENSION_1_ASM	1
3	10012589	上过线板	THREAD_TENSION_1_DISK	1
4	10005841	螺钉 SM11/64"×40	SCREW SM11/64"×40	1
5	10005839	上夹线板	THREAD_TENSION_2_DISK	2
6	10005838	弹簧	SPRING	1
7	10051458	上夹线器螺母 SM11/64"×40	SCREW SM11/64"×40	1
8	10007096	螺钉 M5 L=10	SCREW M5 L=10	2
9	10057974	松线电磁铁	SOLENOID ASM	1
10	10057933	夹线电磁铁安装板	TENSION_RELEASE_CRANK_FRAME	1
11	10051846	螺钉 M4 L=8	SCREW M4 L=8	2
12	10059819	垫圈 7×13×2	WASHER 7×13×2	1
13	10002076	螺母 M4	NUT M4	1
14	10063649	螺钉 M4 L=30	SCREW M4 L=30	1
15	10059808	松线辅钉	TENSION_RELEASE_PIN	1
16	10064309	夹线器组件	THREAD_TENSION_2_ASM	1
17	10006264	螺钉 SM15/64"×28 L=6	SCREW SM15/64"×28 L=6	1
18	10004184	松线钉	TENSION_RELEASE_PIN	1
19	10039524	挑线簧调节座	THREAD_TENSION_POST_BASE	1
20	10004200	螺钉 SM9/64"×40 L=5.5	SCREW SM9/64"×40 L=5.5	1
21	10004183	O形圈 13×1.5	O TYPE RING 13×1.5	1
22	10004177	螺钉 SM1/4"×40	螺钉 SM1/4"×40	1
23	10004201	弹簧	SPRING	1
24	10004180	夹线板	THREAD_TENSION_DISK	2
25	10004179	松线板	THREAD_TENSION_DISK_PRESSER	1
26	10004176	弹簧	SPRING	1
27	10004199	夹线制动板	DISK_STOPPER	1
28	10040449	螺母	THREAD_TENSION_NUT	1

6. 下轴及剪线部件



下轴及剪线部件

PRESSER MECHANISM & PRESSER VARIABLE COMPONENTS

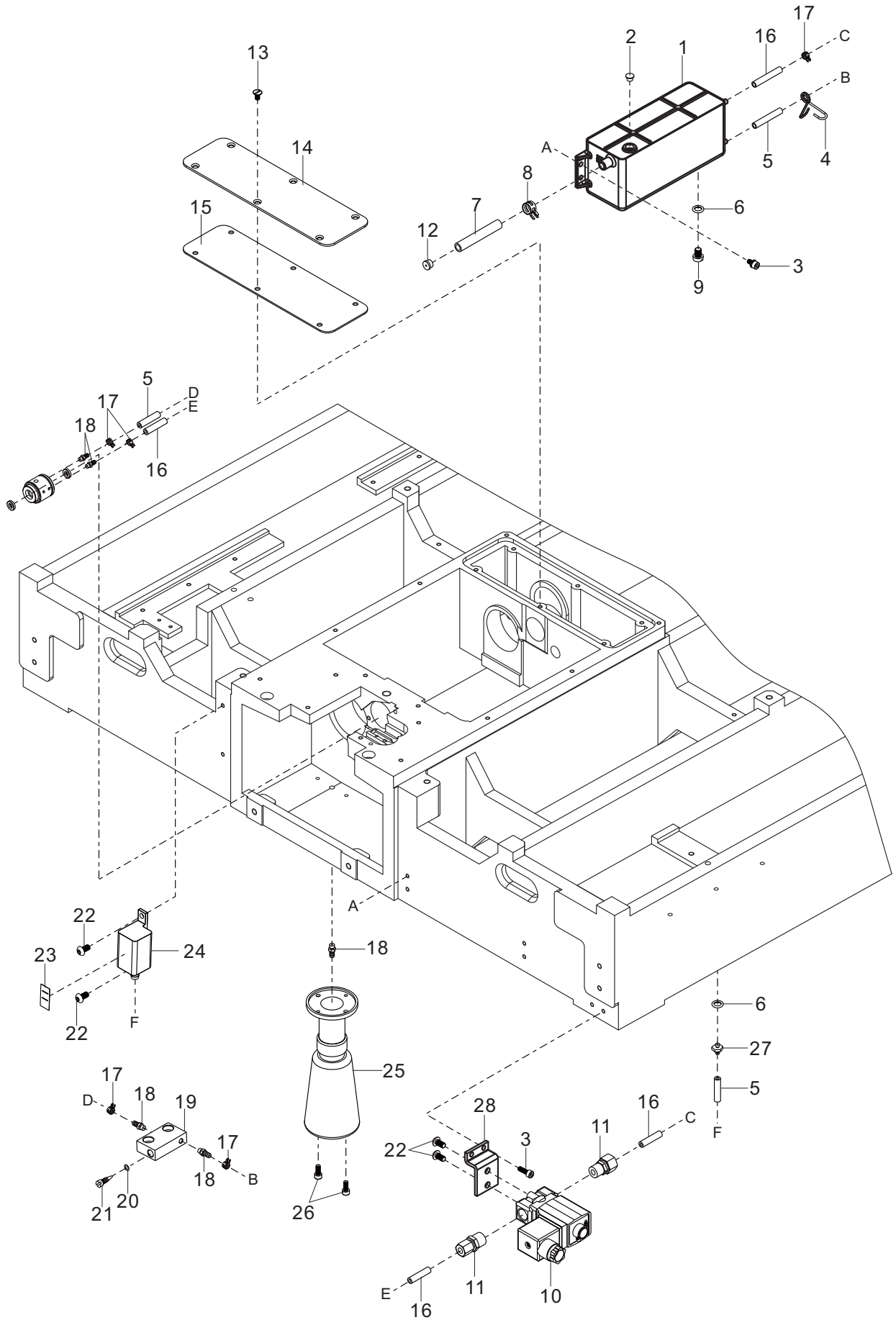
序号 NO.	件号 Part No.	名称	DESCRIPTION	数量 Qty
1	10054088	轴承62/22ZZ	BEARING 62/22ZZ	1
2	10040825	轴承衬套	BEARING SUPPORT	1
3	10010678	SM15/64"×2 8螺钉	SCREW SM15/64"×2 8	8
4	10037786	上轴同步带	TIMING BELT	1
	10037787	上轴同步带	TIMING BELT	1
	10037788	上轴同步带	TIMING BELT	1
	10052388	上轴同步带	TIMING BELT	1
	10054280	上轴同步带	TIMING BELT	1
5	10002020	M8×40 螺钉	SCREW M8 L=10	1
6	10027837	张紧轮套	TENSION PULLEY	1
7	10050517	6004ZZ_BOM轴承	BEARING 6004ZZ_BOM	2
8	10007916	20挡圈	RING 20	1
9	10051566	抬牙轴同步齿形带轮	LOWER SPROCKET	1
10	10009187	M6×8 螺钉	SCREW M6 L=8	2
11	10025881	6204NR-2RS_BOM轴承	BEARING 6204NR-2RS	1
12	10055052	下带轮轴	SHAFT	1
13	10064993	6204ZZ轴承	BEARING 6204ZZ	1
14	10037694	轴承衬套	BEARING SUPPORT	3
15	10037722	轴承6904ZZNR	BEARING 6904ZZNR	1
16	10008862	SM1/4"×40 螺钉	SCREW SM1/4"×40	2
17	10023911	齿轮	GEAR	1
18	10012538	油封	OIL SEAL	1
19	10025882	轴承 6004NR-2RS_BOM	BEARING 6004NR-2RS	1
20	10008862	SM1/4"×40 螺钉	SCREW SM1/4"×40	2
21	10023912	齿轮	GEAR	1
22	10012678	轴套	BUSHING	1
23	10012423	油封	OIL SEAL	1
24	10026221	6901-ZZ_BOM轴承	BEARING 6901-ZZ	1
25	10012014	M5×4 螺钉	SCREW M5 L=4	2
26	10049842	下轴后轴承挡圈	RING	1
27	10065811	下轴	SHAFT	1
28	10010063	油芯	OIL WICK	1
29	10000457	旋梭限油螺钉O形圈	O-RING	1
30	10010064	SM3/16"×32 螺钉	SCREW SM3/16"×32	1
31	10023739	剪线凸轮垫	THREAD TRIMMER CAM WASHER	2
32	10013465	螺钉 SM1/4"×40	SCREW SM1/4"×40	2
33	10010736	剪线凸轮	THREAD TRIMMER CAM	1
34	10013029	油封	OIL SEAL	2
35	10008779	油管接头	JOINT	2
36	10054194	螺钉 M8×4	SCREW M8×4	1
37	10014386	柱塞簧	PLUNGER SPRING	1
38	10012609	柱塞	PLUNGER	1
39	10054060	900下轴前套	FRONT BUSHING	1
40	10051729	750动刀架座垫片	KNIFE BRACKET MOUNTING BASE GASKET	2
41	10011794	螺钉 M4 L=10	SCREW M4 L=10	2
42	10061567	动刀架座组件	KNIFE BRACKET MOUNTING BASE	1
43	10011588	螺钉 SM11/64"×40	SCREW SM11/64"×40	2
44	10063085	动刀	ROUND KNIFE	1
45	10013045	动刀架	ROUND KNIFE BRACKET	1

下轴及剪线部件

PRESSER MECHANISM & PRESSER VARIABLE COMPONENTS

序号 NO.	件号 Part No.	名称	DESCRIPTION	数量 Qty
46	10009626	螺钉 M3 L=4.35	SCREW M3 L=4.35	3
47	10013026	刀架压板	KNIFE HOLDER	1
48	10009471	螺母	NUT	1
49	10053055	方形针板贴膜	SQUARE NEEDLE PLATE	1
50	10053634	螺钉	SCREW	2
51	10040655	螺钉	SCREW	4
52	10038528	运模车小针板	SMALL NEEDLE PLATE	1
53	10048793	750针板	NEEDLE PLATE	1
54	10066343	剪线步进电机	STEPPING MOTOR	1
55	10005537	垫圈 6	WASHER 6	3
56	10005537	弹簧垫圈 6	SPRING WASHER 6	3
57	10002028	螺钉 M6 L=20	SCREW M6 L=20	3
58	10064248	轴套	BUSHING	1
59	10013044	刀轴连杆	KNIFE SHAFT CONNECTING BAR	1
60	10026142	螺钉	SCREW	2
61	10063112	剪线曲柄	TRIMMING CRANK	1
62	10056719	螺钉 SM3/16" ×32	SCREW SM3/16" ×32	1
63	10013010	切线驱动曲柄止动块	CRANK BLOCK	1
64	10063113	剪线限位板	FIXED PLATE	1
65	10003399	螺钉 M4 L=8	SCREW M4 L=8	2
66	10062467	德盛旋梭_DSH1.6-B0TR	HOOK	1
67	10063086	梭芯	BOBBIN	1
68	10065171	1.6P梭壳BC-DB(6)-NBL2	BOBBIN CASE	1
69	10010373	螺钉 SM11/64" ×40	SCREW SM11/64" ×40	1
70	10041951	旋梭定位钩	BOBBIN CASE HOLDER	1
71	10009601	螺钉 SM9/64" ×40	SCREW SM9/64" ×40	1
72	10055264	定刀压板	FIXED KNIFE PLATE	1
73	10011421	定刀	FIXED KNIFE	1
74	10042100	定刀垫片	FIXED KNIFE GASKET	1
75	10046203	定刀座螺钉	FIXED KNIFE SCREW	1
76	10057346	分线器垫片	DISPART THREAN SHUTTLE GASKET	1
77	10026784	分线器	DISPART THREAN SHUTTLE	1
78	10062729	下轴铜套		1
79	10050402	750动刀架座_小旋梭		1

7. 润滑部件

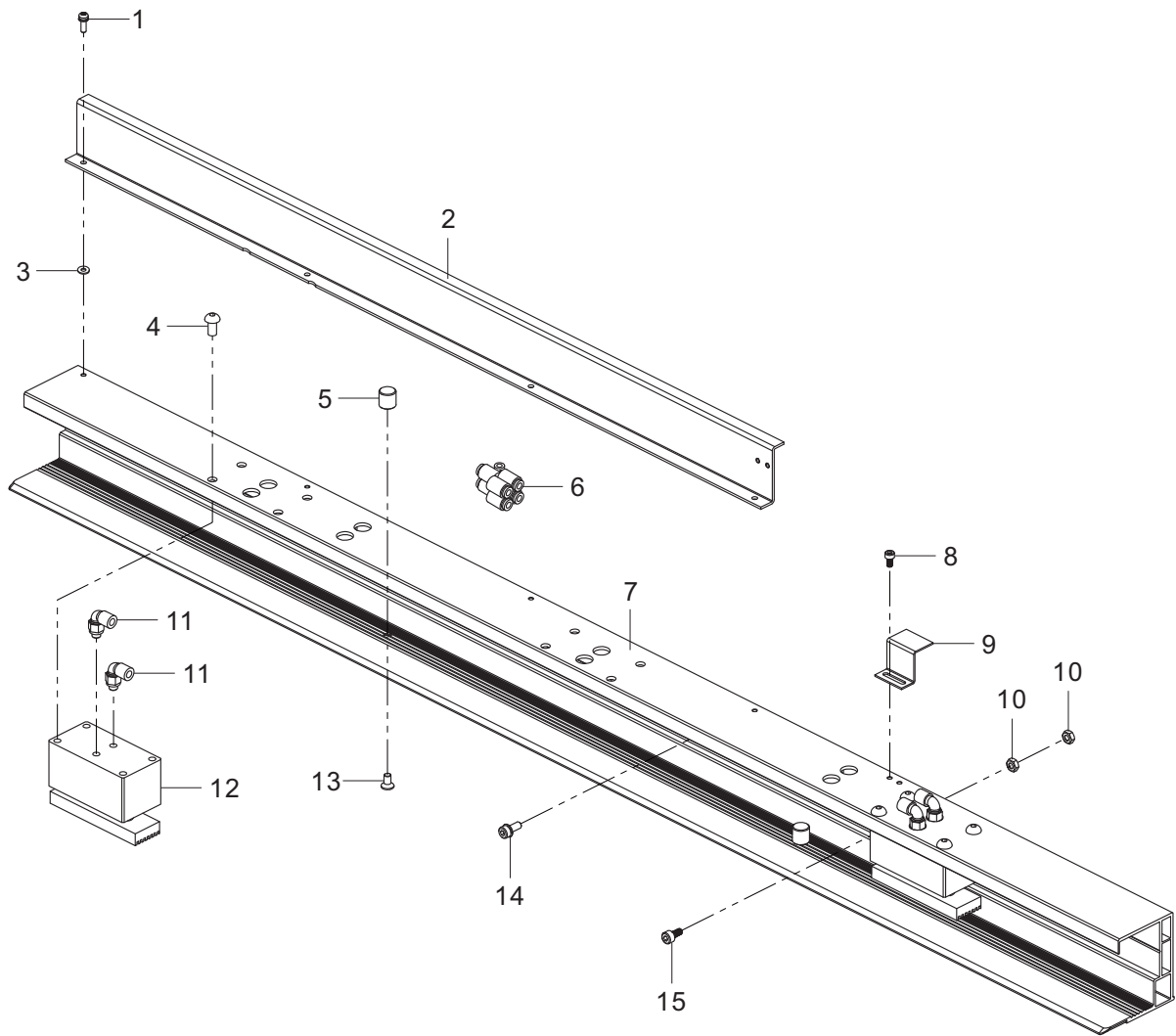


润滑部件

LUBRICATION COMPONENTS

序号 NO.	件号 Part No.	名称	DESCRIPTION	数量 Qty
1	10057442	油箱组件2	OIL ATNK 2	1
2	10010587	橡胶塞	RUBBER PLUG	1
3	10005350	螺钉 M4 L=8	SCREW M4 L=8	6
4	10022469	油管夹	SPRING CLIP	1
5	10007800	φ3×φ5油管	OIL TUBE φ3×φ5	1,500
6	10014461	6.5×20 形圈	O-RING	2
7	10007806	φ8×φ10油管	OIL TUBE φ8×φ10	200
8	10013048	弹簧	SPRING	1
9	10008783	SM5/16"×24 螺钉	SCREW SM5/16"×24	2
10	10042039	2KW03-08电磁阀	SOLENOID VALVE	1
11	10050200	锁母直通终端	JOINT	1
12	10010587	橡胶塞	RUBBER PLUG	1
13	10009195	M4×7.80 螺钉	SCREW M4 L=7.8	6
14	10037679	齿轮箱盖板	COVER PLATE	1
15	10038525	齿轮箱盖板垫	PLATE	1
16	10007796	φ4×φ6油管	OIL TUBE φ4×φ6	650
17	10012160	弹簧	SPRING	2
18	10008779	油管接头	JOINT	5
19	10010517	油量调节阀	OIL REGULATING VAVLVE	1
20	10000567	油量调节阀O形圈	O-RING	1
21	10000566	油量调节杆	REGULATING ROD	1
22	10007096	M5×10螺钉	SCREW M5 L=10	4
23	10048826	油位标贴	OIL LEVEL LABEL	1
24	10005291	小油箱组件	SMALL OIL TANK	1
25	10006185	油杯组件	OILCAN ASM	1
26	10005041	M4×10 内六角圆头螺栓	SCREW M4 L=10	2
27	10048780	油管接头	JOINT	1
28	10055081	流量电磁阀安装座	MOUNTING PLATE	1

8. X-Y送料部件(1)

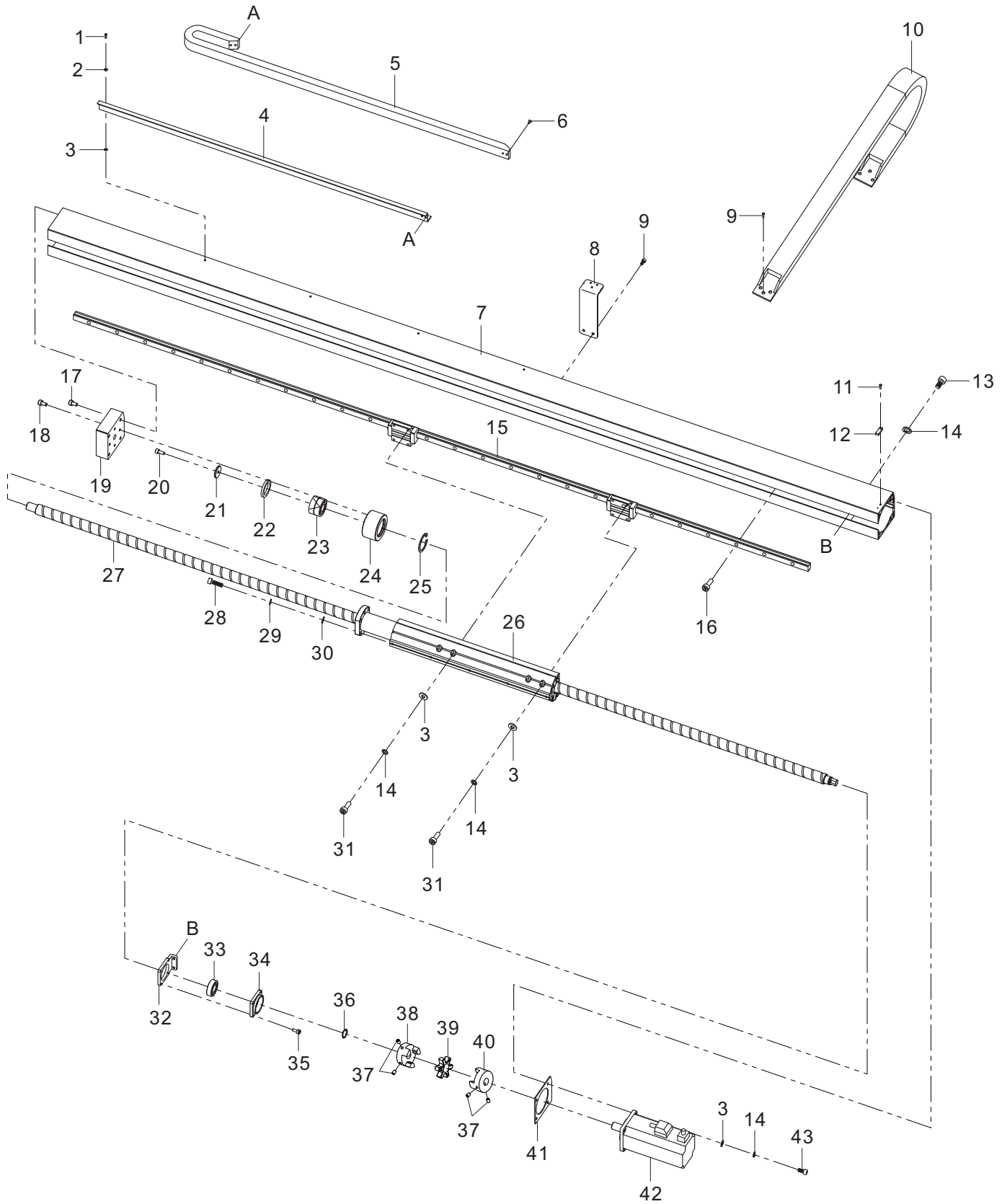


X-Y送料部件 (1)

FEEDING COMPONENTS

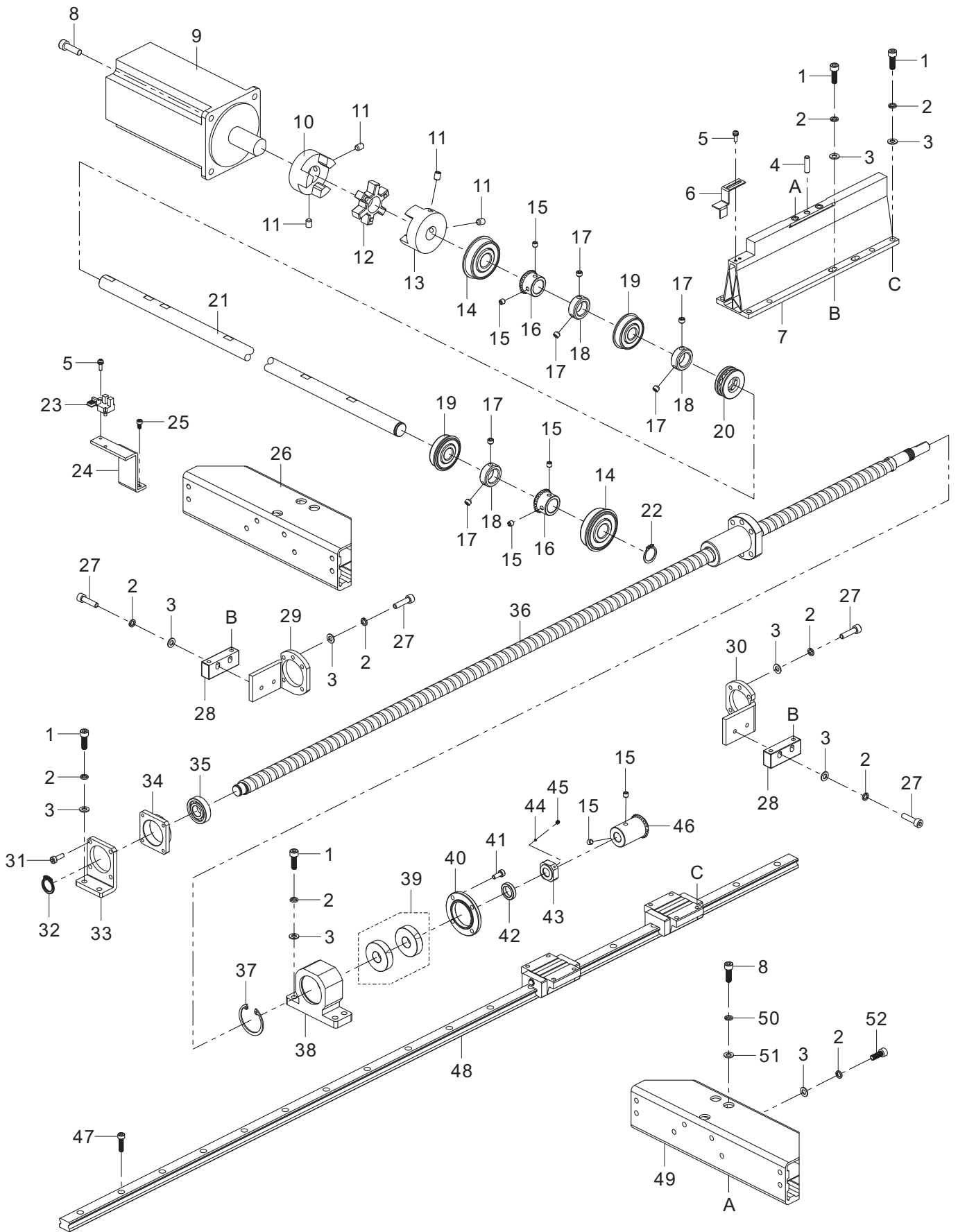
序号 NO.	件号 Part No.	名称	DESCRIPTION	数量 Qty
1	10000984	螺钉 M3 L=9.5	SCREW M3 L=9.5	4
2	10063163	拖链压板2	BAFFLE	1
3	10012318	垫圈 5	WASHER 5	4
4	10007096	螺钉 M5 L=10	SCREW M5 L=10	8
5	10052200	销	SPRING PIN	2
6	10052376	三通快速管接头	TIE-IN	2
7	10063155	模板导轨	ALUMINUM PROFILE GUIDE	1
8	10001513	螺钉 M3 L=6	SCREW M3 L=6	2
9	10063170	X向传感片	X SENSOR MOUNTING	1
10	10009471	螺母 M4	NUT M4	2
11	10052378	气管接头	JOINT	4
12	10063101	压料气缸	AIR CYLINDER	2
13	10040655	螺钉 M4 L=8	SCREW M4 L=8	2
14	10003875	螺钉 M4 L=8	SCREW M4 L=8	5
15	10012752	螺钉 M4 L=10	SCREW M4 L=10	1

9. X-Y送料部件(2)



序号 NO.	件号 Part No.	名称	DESCRIPTION	数量 Qty
1	10039650	螺钉 M3 L=6	SCREW M3 L=6	4
2	10041012	大垫圈 3	WASHER 3	4
3	10012318	垫圈 5	WASHER 5	16
4	10063162	拖链压板1	MOUNTING PLATE 1	1
5	10037199	塑料拖链	PLASTIC DRAG CHAIN	1
6	10009667	螺钉 M3 L=6	SCREW M3 L=6	6
7	10063176	X向型材座		1
8	10063175	拖链过渡板	MOUNTING PLATE	1
9	10005350	螺钉 M4 L=8	SCREW M4 L=8	8
10	10066192	塑料拖链	PLASTIC DRAG CHAIN	1185
11	10000984	螺钉 M3 L=9.5	SCREW M3 L=9.5	1
12	10061948	X传感器	X DIRECTION SENSOR	1
13	10003165	螺钉 M5 L=10	SCREW M5 L=10	2
14	10005537	弹簧垫圈 5	WASHER 5	14
15	10063171	X向导轨组件	X LINEAR GUIDE RAIL	1
16	10014395	螺钉 M4 L=14	SCREW M4 L=14	24
17	10001943	螺钉 M5 L=20	SCREW M5 L=20	4
18	10009103	螺钉 M4 L=16	SCREW M4 L=16	4
19	10063166	固定板	TIGHTER PLATE	1
20	10005139	螺钉 M5 L=12	SCREW M5 L=12	1
21	10063158	拉紧块		1
22	10063174	垫圈 35	WASHER 35	1
23	10060464	成对双联角接触球轴承	BEARING	1
24	10063168	固定座		1
25	10003239	挡圈 35	E-RING 35	1
26	10063159	导轨丝杠连接型材		1
27	10063169	X向丝杠		1
28	10009171	螺钉 M6 L=25	SCREW M6 L=25	4
29	10003077	弹簧垫圈 6	WASHER 6	4
30	10002995	垫圈 6	WASHER 6	4
31	10010958	螺钉 M5 L=14	SCREW M5 L=14	8
32	10063177	轴承支撑座		1
33	10009778	6002ZZ轴承	BEARING	1
34	10063156	X向支撑端轴承座		1
35	10012752	螺钉 M4 L=10	SCREW M4 L=10	4
36	10003290	挡圈 15	E-RING 15	1
37	10009187	螺钉 M6 L=8	SCREW M6 L=8	4
38	10012615	联轴器	COUPLING	1
39	10011227	传动连接橡胶块	COUPLING RUBBER	1
40	10063173	联轴器	COUPLING	1
41	10063157	端盖		1
42	10066341	X电机 伺服电机	STEPPING MOTOR	1
43	10006118	螺钉 M5 L=25	SCREW M5 L=25	4

10. X-Y送料部件(3)



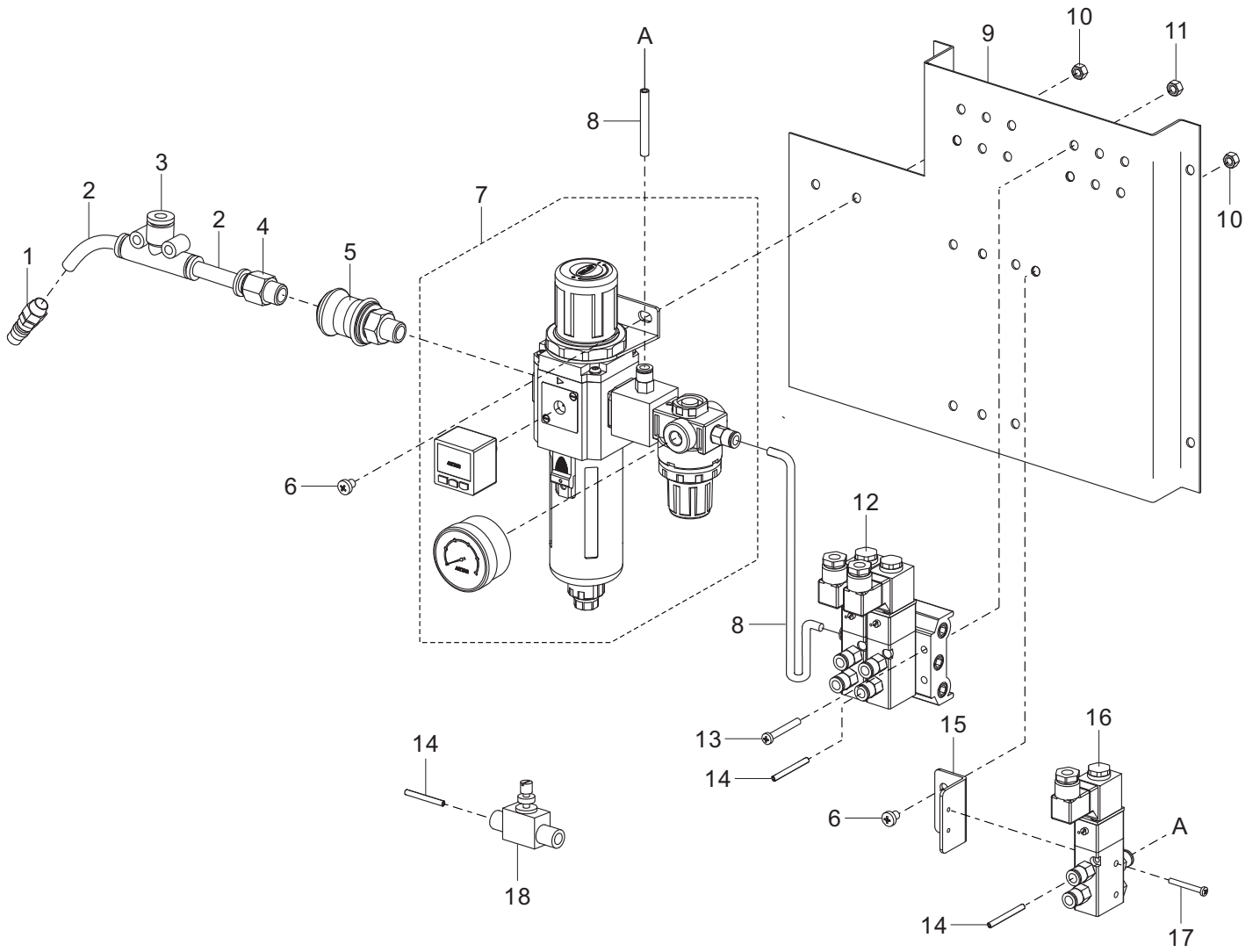
序号 NO.	件号 Part No.	名称	DESCRIPTION	数量 Qty
1	10012073	螺钉 M5 L=16	SCREW M5 L=16	32
2	10005537	弹簧垫圈 5	WASHER 5	62
3	10012318	垫圈 5	WASHER 5	62
4	10002839	销	SPRING PIN	2
5	10000984	螺钉 M3 L=9.5	SCREW M3 L=9.5	3
6	10063132	Y向传感片	DETECTION PLATE	1
7	10063143	导轨连接型材	FEED SEAT	2
8	10002028	螺钉 M6 L=20	SCREW M6 L=20	8
9	10066342	Y电机_伺服电机	STEPPING MOTOR	1
10	10063138	联轴器	COUPLING	1
11	10009187	螺钉 M6 L=8	SCREW M6 L=8	4
12	10011227	传动连接橡胶块	COUPLING RUBBER	1
13	10012613	联轴器	COUPLING	1
14	10003585	6302ZZNR轴承	BEARING	2
15	10012162	螺钉 M5 L=5	SCREW M5 L=5	8
16	10065169	主动齿轮	DRIVE GEAR	2
17	10005258	螺钉 M6×0 75 L= 5	SCREW M6×0 75L= 5	6
18	10005477	输送主轴挡圈	RETAINING RING	3
19	10060319	6202ZZNR轴承	BEARING	2
20	10063384	单向推力球轴承	BEARING	1
21	10063139	驱动轴	WHEEL SHAFT	1
22	10010090	挡圈 15	E-RING 15	1
23	10051271	槽型光耦	GROOVE OPTOCOUPER	1
24	10063133	Y向传感器安装板	SENSOR MOUNTING PLATE	1
25	10001513	螺钉 M3 L=6	SCREW M3 L=6	2
26	10063160	支撑座左		1
27	10001943	螺钉 M5 L=20	SCREW M5 L=20	14
28	10065616	调节块		2
29	10065614	Y向调节板左		1
30	10065615	Y向调节板右		1
31	10000863	螺钉 M4 L=12	SCREW M4 L=12	8
32	10003334	挡圈 12	E-RING 12	2
33	10063137	轴承支撑座		2
34	10063134	支撑端轴承座		2
35	10063824	16001-ZZ轴承	BEARING	2
36	10063136	Y向丝杠		2
37	10003321	挡圈 32	E-RING 32	2
38	10063164	丝杠固定支撑座		2
39	10052298	7201ADB轴承	BEARING	2
40	10052204	固定座端盖		2
41	10012752	螺钉 M4 L=10	SCREW M4 L=10	4
42	10006400	垫片 12.2	WASHER 12.2	2
43	10053324	方形螺母	NUT	2
44	10065833	小圆铜垫片	WASHER	2
45	10010196	螺钉 M3 L=3	SCREW M3 L=3	2
46	10065170	从动齿轮	DRIVEN GEAR	2
47	10009103	螺钉 M4 L=16	SCREW M4 L=16	24

X-Y送料部件(3)

FEEDING COMPONENTS

序号 NO.	件号 Part No.	名称	DESCRIPTION	数量 Qty
48	10063140	Y向导轨组件	LINEAR GUIDE RAIL Y	2
49	10063161	支撑座右		1
50	10052480	弹簧垫圈 6	WASHER 6	4
51	10000109	垫圈 6.6	WASHER 6.6	4
52	10010958	螺钉 M5 L=14	SCREW M5 L=14	16

11. 气动部件

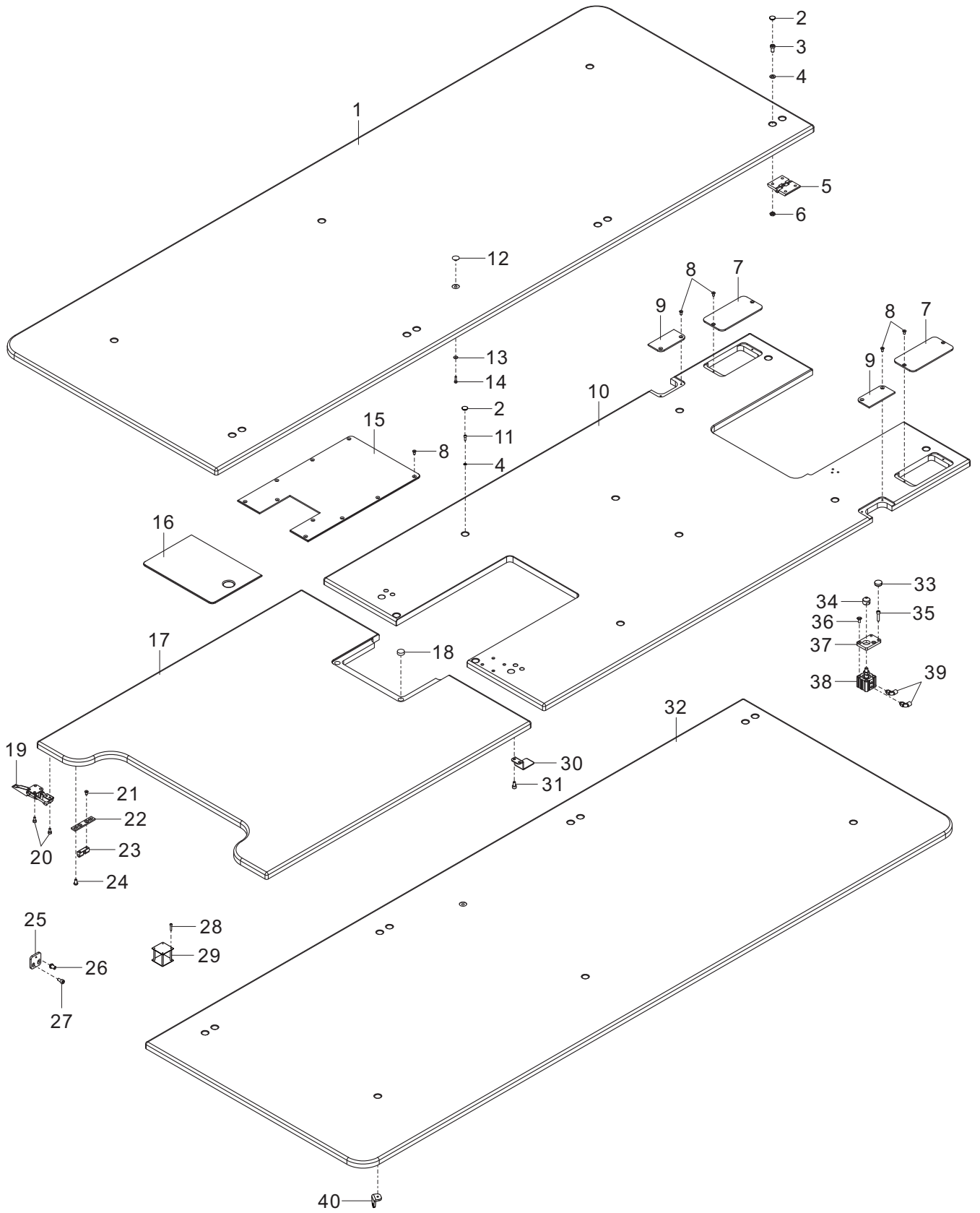


气动部件

PNEUMATIC COMPONENTS

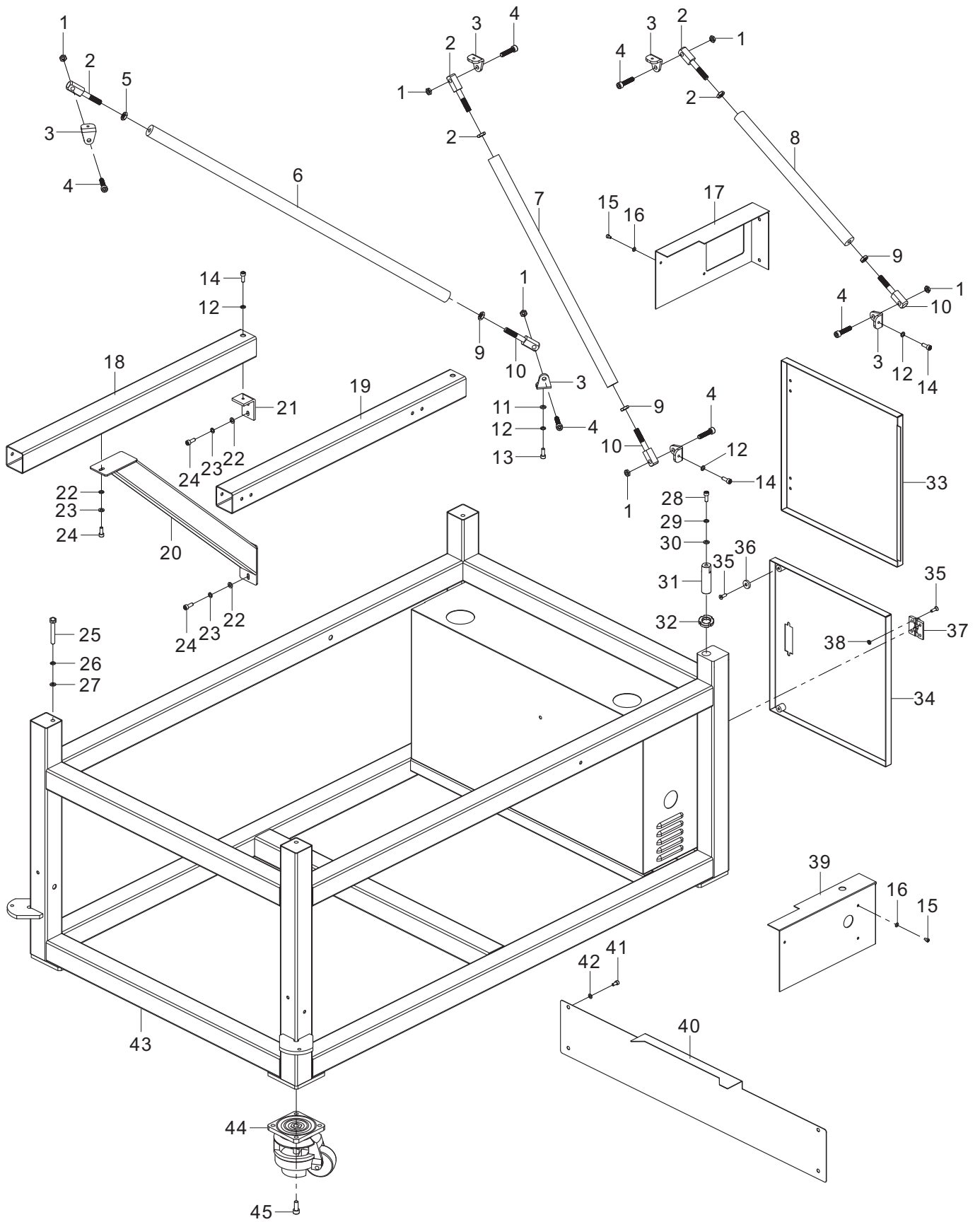
序号 NO.	件号 Part No.	名称	DESCRIPTION	数量 Qty
1	10052372	接头 PP30	PLUD PP30	1
2	10008151	ATC PUC1065透明气管	TUBE $\Phi 10 \times \Phi 6.5$	200
3	10052376	三通快速管接头		1
4	10003458	APC10-02 $\Phi 10$ 阀进气直连接头	PLUD APC10-02 $\Phi 10$	1
5	10052367	ATC HSV08手滑阀	HAND SLIDE VALVE	1
6	10003883	螺钉 M5 L=10	SCREW M5 L=10	4
7	10064657	二联过滤减压阀组件	FILTER REGULATOR	1
8	10008150	$\Phi 4 \times \Phi 6$ 气管	TUBE $\Phi 4 \times \Phi 6$	500
9	10065573	气动安装板喷漆		1
10	10009467	螺母 M5	NUT M5	4
11	10009471	螺母 M4	NUT M4	4
12	10064245	二组电磁阀	2 PORT SOLENOID VALVE GROUP	1
13	10002180	螺钉 M4 L=30	SCREW M4 L=30	4
14	10008119	$\Phi 2.5 \times \Phi 4$ 气管	TUBE $\Phi 2.5 \times \Phi 4$	45000
15	10007583	气阀安装板		1
16	10064244	单组电磁阀	1 PORT SOLENOID VALVE GROUP	1
17	10002148	螺钉 M3 L=10	SCREW M3 L=10	2
18	10052369	调压阀NSF 04	PLUG NSF 04	1

12.大缝台部件



序号 NO.	件号 Part No.	名称	DESCRIPTION	数量 Qty
1	10063145	辅助台板左	LEFT TABLE	1
2	10056183	橡胶塞	RUBBER PLUG	32
3	10054136	螺钉 M6 L=12	SCREW M6 L=12	32
4	10012856	垫圈 6.5×12×1	WASHER 6.5×12×1	32
5	10060098	锌合金合页	ZINC ALLOY HINGE	8
6	10003032	螺母 M6	NUT M6	32
7	10055066	电机盖板		2
8	10051846	螺钉	SCREW	18
9	10063165	维修安装板		2
10	10063144	台板面	TABLE	1
11	10009008	螺钉 M6 L=16	SCREW M6 L=16	16
12	10055663	顶销	APEX PIN	2
13	10041012	大垫圈3	WASGER	2
14	10003874	螺钉 M3 L=14	SCREW M3 L=14	2
15	10060340	丝杠款剪线上盖板	COVER LABLE	1
16	10063151	梭芯盖板组件	COVER LABLE	1
17	10063147	小台板	SMALL TABLE	1
18	10001096	磁铁	MAGNET	2
19	10064183	快速夹头		2
20	10005350	螺钉 M4 L=8	SCREW M4 L=8	12
21	10051846	螺钉 M4 L=8	SCREW M4 L=8	4
22	10063108	铰链座过渡板		2
23	10029899	铰链座		2
24	10007096	螺钉 M5 L=10	SCREW M5 L=10	4
25	10063107	小台板调节板		2
26	10063109	铰链轴位		2
27	10000259	螺钉 M5 L=12	SCREW M5 L=12	2
28	10000909	螺钉 M3 L=8	SCREW M3 L=8	4
29	10061934	RFID扫码识别器	RFID CODE RECOGNIZER	1
30	10063152	小台板拉板		2
31	10003165	螺钉 M5 L=10	SCREW M5 L=10	4
32	10063146	辅助台板右	RIGHT TABLE	1
33	10061304	橡胶塞	RUBBER PLUG	4
34	10059444	模板顶柱	TOP COLUMN	2
35	10003141	螺钉 M5 L=20	SCREW M5 L=20	4
36	10022252	螺钉 M4 L=10	SCREW M4 L=10	4
37	10063114	气缸垫板		2
38	10059341	气缸	AIR CYLINDER	2
39	10052378	气管接头	TIE-IN	4
40	10055082	支撑板6	RIGHT TABLE	12

13.机架部件

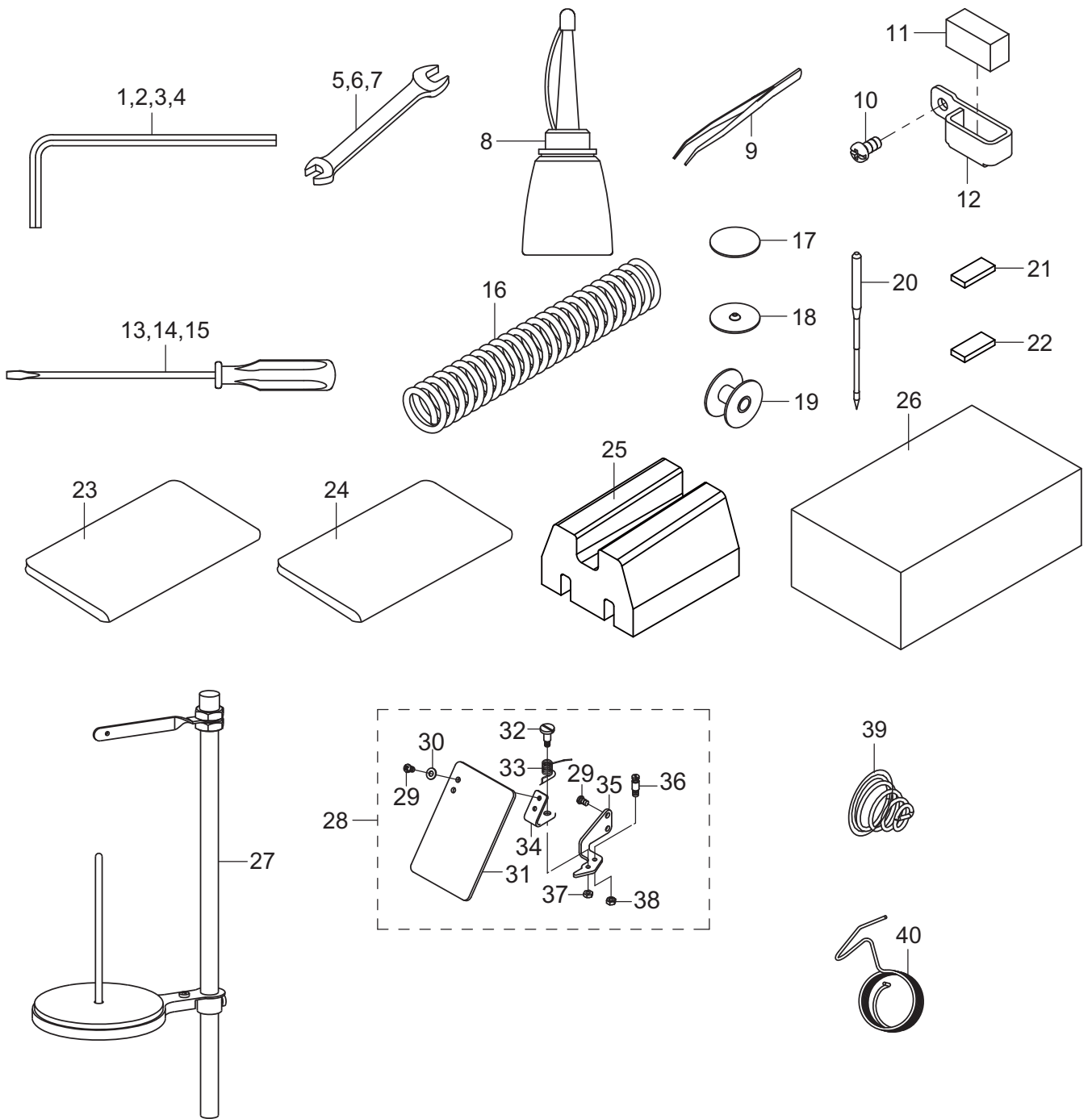


机架部件

MACHINE FRAME COMPONENTS

序号 NO.	件号 Part No.	名称	DESCRIPTION	数量 Qty
1	10003131	螺母 M8	NUT M8	12
2	10054069	接头A	JOINT A	6
3	10055082	支撑板6		12
4	10038972	螺钉 M8 L=35	SCREW M8 L=35	12
5	10054091	螺母 M10	NUT M10	6
6	20020208	支撑杆喷漆件	SUPPORT ROD	2
7	20020207	支撑杆喷漆件	SUPPORT ROD	2
8	20024142	支撑杆喷漆	SUPPORT ROD	2
9	10054090	螺母 M10 左旋	NUT LEFT M10	6
10	10054070	接头B	JOINT B	6
11	10003077	垫圈 6	WASHER 6	2
12	10052480	弹簧垫圈 6	SPRING WASHER 6	8
13	10009008	螺钉 M6 L=16	SCREW M6 L=16	2
14	10054136	螺钉 M6 L=10	SCREW M6 L=10	6
15	10000863	螺钉 M4 L=12	SCREW M4 L=12	6
16	10002954	垫圈 4	WASHER 4	6
17	20024143	左挡板喷漆	LEFT BAFFLE	1
18	20024139	小台板支撑方管左喷漆		1
19	20024140	小台板支撑方管右喷漆		1
20	20024141	小台板支撑方管喷漆		2
21	10063103	台板安装板		2
22	10000480	垫圈 6	WASHER 6	6
23	10005537	弹簧垫圈 5	SPRING WASHER 5	6
24	10012073	螺钉 M5 L=16	SCREW M5 L=16	6
25	10003979	螺钉 M10 L=35	SCREW M10 L=35	3
26		弹簧垫圈 10	SPRING WASHER 10	3
27	10052041	垫圈 10	WASHER 10	3
28	10001757	螺钉 M8 L=35	SCREW M8 L=35	1
29	10002986	弹簧垫圈 8	SPRING WASHER 8	1
30	10012839	垫圈 8	WASHER 8	1
31	10054074	螺柱 M20×1.5	SCREW M20×1.5	1
32	10054086	小圆螺母 M20×1.5	NUT M20×1.5	1
33	10063129	电器柜右门	ELECTRIC CONTROL BOX RIGHT DOOR	1
34	10063128	电器柜左门	ELECTRIC CONTROL BOX LEFT DOOR	1
35	10003306	螺钉 M5 L=10	SCREW M5 L=10	18
36	10059339	磁铁	MAGNET	2
37	10059338	金属合页	METAL HING	2
38	10009467	螺母 M5	NUT M5	16
39	20024144	右挡板喷漆	RIGHT BAFFLE	1
40	20024145	后挡板喷漆	BACK BAFFLE	1
41	10005139	螺钉 M5 L=12	SCREW M5 L=12	4
42	10012318	垫圈 5	WASHER 5	1
43	10063117	机架体	MACHINE FRAME	1
44	10057044	一体式脚轮	INTEGRAL ANGLE WHEEL	4
45	10003093	螺钉 M8 L=20	SCREW M8 L=20	16

14. 附件部件



序号 NO.	件号 Part No.	名称	DESCRIPTION	数量 Qty
1	10009685	内六角扳手 2.5	HEXAGONAL WRENCH 2.5	1
2	10009687	内六角扳手 3	HEXAGONAL WRENCH 3	1
3	10009689	内六角扳手 4	HEXAGONAL WRENCH 4	1
4	10009689	内六角扳手 5	HEXAGONAL WRENCH 5	1
5	10003369	呆扳手 8×0	WRENCH 8×0	1
6	10003368	呆扳手 9×1	WRENCH 9×1	1
7	10003368	呆扳手 9×1	WRENCH 9×1	1
8	10005356	油壶	OLI CAN	1
9	10004247	镊子组件	TWEEZERS	1
10	10011143	螺钉 SM9/64"×40 L=7	SCREW SM9/64"×40 L=7	1
11	10000396	硅油毡	FELT	1
12	10000398	硅油板	THREAD GUIDE	1
13	10010994	大螺丝刀	SCREW DRIVER LARGE	1
14	10010995	中螺丝刀	SCREW DRIVER MIDDLE	1
15	10013185	小螺丝刀	SCREW DRIVER SMALL	1
16	60000115	吹气管	INPUT TUBE	1
17	10060484	38IC卡		20
18	10041780	运模车小针板	SMALL NEEDLE PLATE	1
19	10063086	梭心	BOBBIN	2
20	10053820	机针 DP×5 1 0#	NEEDLE DP×5 1 0#	10
21	10040794	U盘		1
22	10047881	PDS打板软件及加密狗		1
23	10041948	750运模车机头罩	MACHINE HEAD COVER	1
24	10051094	750防雨罩		1
25	10041496	机头发泡		1
26	10000159	附件箱	ACCESSORY BOX	1
27	10057269	单线架组件	THREAD STAND	1
28	20004358	眼睛防护罩组件	SAFETY PLATE ASM	1
29	10011570	螺钉 SM11/64"×40 L=7	SCREW SM11/64"×40 L=7	(4)
30	10011680	垫圈 4.6×9.7×0.8	WASHER 4.6×9.7×0.8	(2)
31	10011636	安全板	SAFETY PLATE	(1)
32	10011677	螺钉轴	HINGE SCREW	(1)
33	10011678	弹簧	SPRING	(1)
34	10011684	安全板架组件	SAFETY PLATE INSTALLING PLATE B	(1)
35	10011632	安全板座	SAFETY PLATE INSTALLING PLATE A	(1)
36	10011633	销钉	SCREW PIN	(1)
37	10010370	螺母 SM11/64"×40	NUT SM11/64"×40	(1)
38	10011682	螺母 SM3/16"×28	NUT SM3/16"×28	(1)
39	10004176	弹簧	SPRING	1
40	10039203	挑线簧	SPRING	1